



ES12-12MMi

Nomo Mast Electric Stacker With Initial Lift 1.2t

- Carrying Two Pallets at A Time Doubles Working Efficiency;
- Long & Aside Tiller Design Makes Operations Easy and Safe;
- Special designed four-bar linkage mechanism

EP EQUIPMENT CO.,LTD
www.ep-ep.com

▣ FEATURE

Performance:

- Robust Structure;
- Highly specialized drive and hydraulic system ensure excellent driving performance and high reliability;
- Low-noise and durable hydraulic unit, high quality cylinder as well as hose ensure high reliability of hydraulic system;
- AMP connector and durable electric wires greatly reduce malfunctions of components;
- C shape mast channel mast improves the strength of the whole truck;
- Dual pallets lifting doubles working efficiency.



Safety:

- Safety hydraulic design prevents mast from falling down abruptly when oil pipes cut off;
- Belly button prevents truck from hitting operator;
- By simply pressing emergency disconnect, power supply will be immediately interrupted;
- Multi lifting limited switch ensures travel safety;
- Truck automatically switches to low speed mode, when lifting height is higher than setting height;
- Anti-rolling back braking device ensures trucks don't roll back on ramps;
- Side positioned long tiller make operator stay safe distance away from truck body.

Operation:

- Ergonomic tiller head for effortless and comfortable operations;
- Tiller with long arm for smooth steering;
- Compact chassis design offers smallest turning radius needed;
- Side operating ensures excellent visibility;
- On-board Charger.

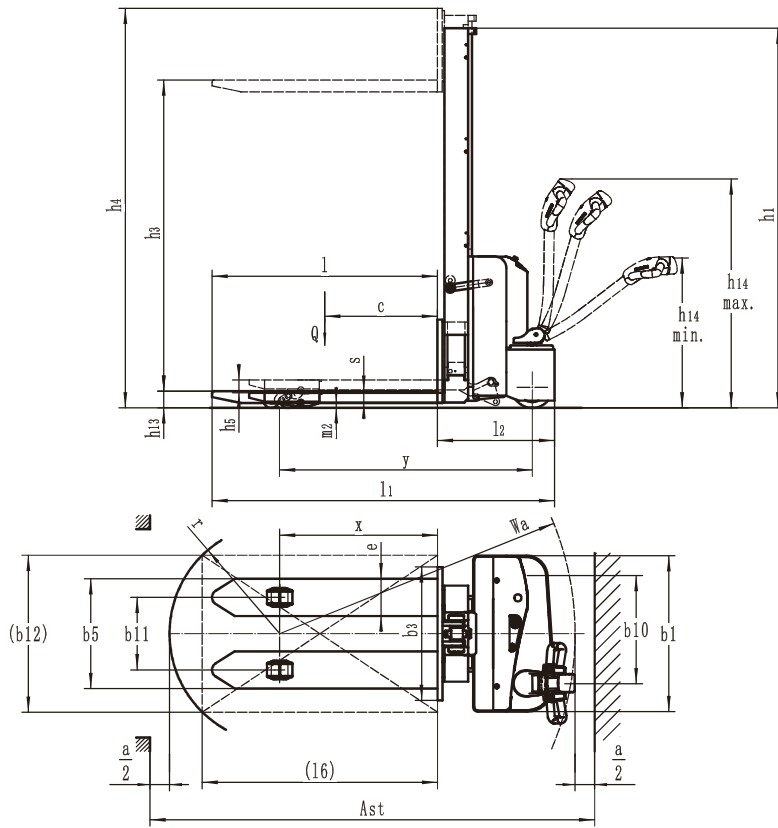
Maintenance:

- Maintenance-free Battery;
- Battery display indicator with hour meter, reminds operator of charging on time (optional);
- Easy Maintenance — detachable rear panel;
- Self-Diagnostics signal on the digital display allows easy trouble-shooting;
- Easy Access of Hand Set;
- Low-voltage Cut-off Protection.

Nomo Mast Electric Stacker With Initial Lift 1.2t ES12-12MMi

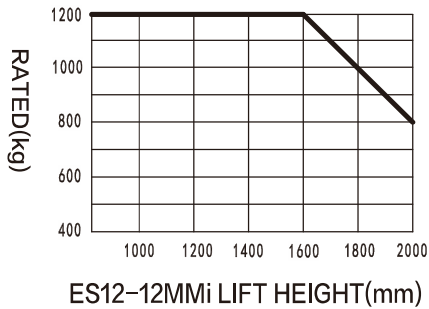
Distinguishing mark				
1.1	Manufacturer		EP	
1.2	Model designation		ES12-12MMA	
1.3	Drive unit		Electric	
1.4	Operator type		pedestrian	
1.5	rated capacity	Q	kg	1200
1.6	Load center distance	c	mm	600
1.8	Load distance , centre of drive axle to fork	x	mm	805
1.9	Wheelbase	y	mm	1260
Weight				
2.1	Service weight (include battery)		kg	520
2.2	Axle loading, laden driving side/loading side		kg	560/1160
2.3	Axle loading, unladen driving side/loading side		kg	350/170
Types,Chassis				
3.1	Tyre type Driving wheels/Loading wheels			PU/PU
3.2	Tyre size, driving wheels (diameter×width)		mm	Ø210×70
3.3	Tyre size, loading wheels (diameter×width)		mm	Ø80×60
3.4	Tyre size, caster wheels (diameter×width)		mm	Ø130×55
3.5	Wheels, number driving , caster/loading (x=drive wheels)		mm	1x +1/4
3.6	Track width, front,driving side	b ₁₀	mm	533
3.7	Track width,rear,loading side	b ₁₁	mm	370
Dimensions				
4.1	Tilt of mast/fork carriage forward/backward	α / β	°	
4.2	Height, mast lowered	h ₁	mm	1940
4.3	Free lift	h ₂	mm	1480
4.4	Lift height	h ₃	mm	1520
4.5	Height, mast extended	h ₄	mm	2090
4.6	Initial lift	h ₅	mm	115
4.9	Height drawbar in driving position min./max.	h ₁₄	mm	860/ 1200
4.10	Height of wheel arms	h ₈	mm	
4.15	Lowered height	h ₁₃	mm	88
4.19	Overall length	l ₁	mm	1750
4.20	Length to face of forks	l ₂	mm	600
4.21	Overall width	b ₁	mm	796
4.22	Fork dimensions	s/ e/ l	mm	60/190/1150
4.24	Fork carriage width	b ₃	mm	680
4.25	Distance between fork-arms	b ₅	mm	560
4.26	Distance between wheel arms	b ₄	mm	
4.31	Ground clearance, laden, below mast	m ₁	mm	
4.32	Ground clearance, center of wheelbase	m ₂	mm	26
4.34.1	Aisle width for pallets 1000 × 1200 crossways	Ast	mm	2340
4.34.2	Aisle width for pallets 800 × 1200 lengthways	Ast	mm	2260
4.35	Turning radius	Wa	mm	1500
Performance data				
5.1	Travel speed, laden/ unladen		km/ h	4.5/4.5
5.2	Lifting speed, laden/ unladen		m/ s	0.10/0.14
5.3	Lowering speed, laden/ unladen		m/ s	0.10/0.07
5.8	Max. gradeability, laden/unladen		%	3/10
5.10	Service brake type			Electromagnetic
Electric-engine				
6.1	Drive motor rating S2 60 min		kW	0.65
6.2	Lift motor rating at S3 15%		kW	2.2
6.3	The maximum allowed size battery		mm	300x180x230
6.4	Battery voltage/nominal capacity K20		V/ Ah	2x12/85
6.5	Battery weight		kg	2x25
Addition data				
8.1	Type of drive unit			DC
10.5	Steering type			Mechanical
10.7	Sound pressure level at the driver's ear			74

1.The parameters in the table are of the standard model. For more information please contact us.
2.The parameters are subject to change without notice.



RATED CAPACITIES GRAPH

(Lifting Mast Fork Only)



(Lifting Support Arm and Mast Fork)

		Lift Height (mm)	Capacity (kg)
	Support Arm	200	1200
	Mast Fork	See the left graph	
	Support Arm	200	1200-G
	Mast Fork	G(See the left graph)	

Mast Option

Mast Types	Lowered mast height h1 (mm)	Free lift h2 (mm)	Lift h3+h13 (mm)	Extended mast height h4 (mm)
ES12-12MMi	1940	1480	1608	2011
	2290	1830	1958	2361

Option

Options	ES12-12MMi
Standard Fork length Fork spread	o 1150*685
Battery indicator with hour meter	o
Explosion proof valve	o

o Options