



ES10-10ESJ

Electric Stacker 1.0t

■ New Choice of Entry-level Electric Stacker

EP EQUIPMENT CO.,LTD
www.ep-ep.com



FEATURE

Performance

- Robust Structure;
- Highly specialized drive and hydraulic system ensure excellent driving performance and high reliability.
- Low-noise and durable hydraulic unit, high quality cylinder as well as hose ensure high reliability of hydraulic system.
- AMP connector and durable electric wires greatly reduce malfunctions of components.



Safety

- Safety hydraulic design prevents mast from falling down abruptly when oil pipes cut off.
- Belly button prevents truck from hitting the operator.
- By simply pressing emergency disconnect, power supply will be immediately interrupted.
- Multi lifting limited switch ensures travel safety.
- Truck automatically switches to low speed mode, when lifting height is higher than setting height.
- Anti-rolling back braking device ensures trucks don't roll back on ramps.

Operation

- Ergonomic tiller head for effortless and comfortable operations.
- Tiller with long arm for smooth steering.
- Compact chassis design offers smallest turning radius needed.
- Side operating ensures excellent visibility.
- On-board Charger.

Maintenance

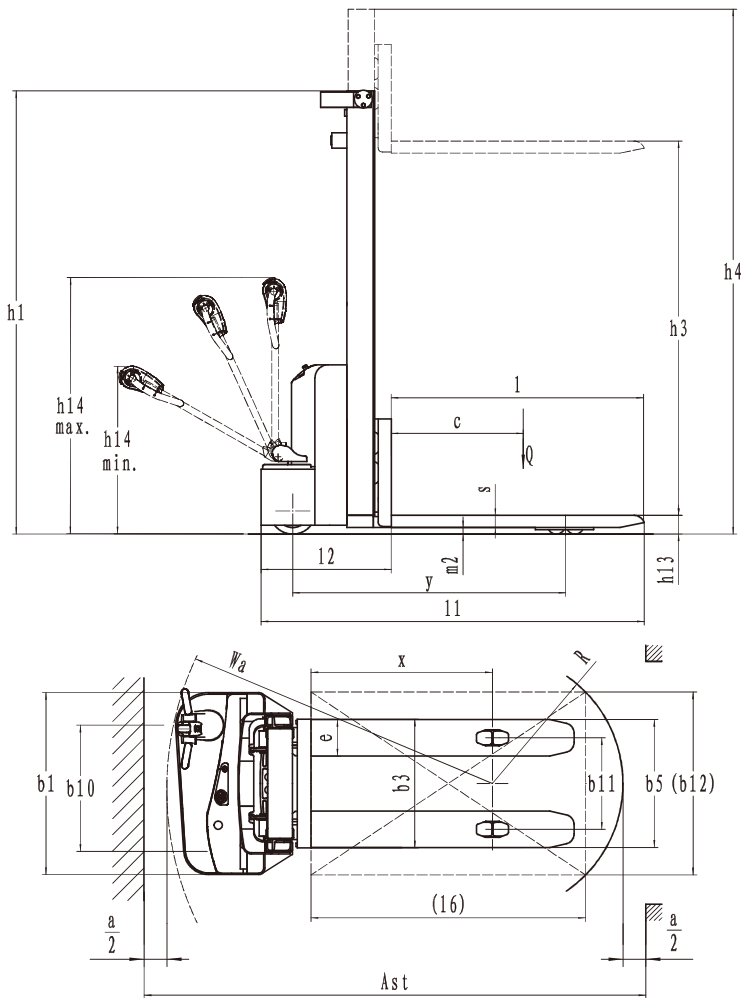
- Maintenance-free Battery.
- Battery display indicator with hour meter, reminds operator of charging on time (optional).
- Easy maintenance. Detach rear panel by losing only 2 screws for easy access.
- Self-Diagnostics signal on the digital display allows easy trouble-shooting.
- Easy Access of Hand Set.
- Low-voltage Cut-off Protection .

Electric Stacker 1.0t

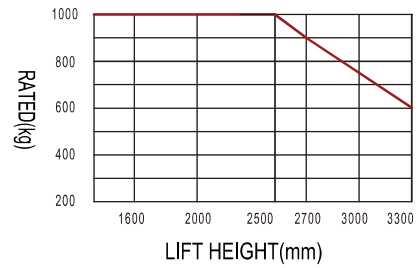
ES10-10ESJ

Distinguishing mark				
1.1	Manufacturer		EP	
1.2	Model designation		ES10-10ESJ	
1.3	Drive unit		Electrics	
1.4	Operator type		pedestrian	
1.5	rated capacity	Q	kg	1000
1.6	Load center distance	c	mm	600
1.7	Load distance, centre of drive axle to fork	x	mm	795
1.8	Wheelbase	y	mm	1221
Weight				
2.1	Service weight (include battery)		kg	540
2.2	Axle loading, laden driving side/loading side		kg	640/852
2.3	Axle loading, unladen driving side/loading side		kg	419/121
Types, Chassis				
3.1	Tyre type Driving w heels/Loading w heels			PU/PU
3.2	Tyre size, driving w heels (diameter×width)		mm	Ø210×70
3.3	Tyre size, loading w heels (diameter×width)		mm	Ø80×60
3.4	Tyre size, caster w heels (diameter×width)		mm	Ø130×55
3.5	Wheels, number driving, caster/loading (x=drive w heels)		mm	1x +1/4
3.6	Track width, front, driving side	b ₁₀	mm	533
3.7	Track width, rear, loading side	b ₁₁	mm	400
Dimensions				
4.1	Tilt of mast/fork carriage forward/backward	α / β	°	
4.2	Height, mast lowered	h ₁	mm	2026
4.3	Free lift	h ₂	mm	
4.4	Lift height	h ₃	mm	2930
4.5	Height, mast extended	h ₄	mm	3491
4.6	Initial lift	h ₅	mm	
4.7	Height draw bar in driving position min./max.	h ₁₄	mm	860/ 1200
4.8	Height of wheel arms	h ₈	mm	
4.9	Lowered height	h ₁₃	mm	88
4.10	Overall length	l ₁	mm	1740
4.11	Length to face of forks	l ₂	mm	590
4.12	Overall width	b ₁	mm	800
4.13	Fork dimensions	s/ e/ l	mm	55/160/1150
4.14	Fork carriage width	b ₃	mm	600
4.15	Distance between fork-arms	b ₅	mm	560
4.16	Distance between wheel arms	b ₄	mm	
4.17	Ground clearance, laden, below mast	m ₁	mm	
4.18	Ground clearance, center of wheelbase	m ₂	mm	30
4.19	Aisle width for pallets 1000 × 1200 crossways	Ast	mm	2225
4.20	Aisle width for pallets 800 × 1200 lengthways	Ast	mm	2150
4.21	Turning radius	Wa	mm	1388
Performance data				
5.1	Travel speed, laden/ unladen		km/ h	3.5/4
5.2	Lifting speed, laden/ unladen		m/ s	0.12/0.22
5.3	Lowering speed, laden/ unladen		m/ s	0.12/0.11
5.4	Max. gradeability, laden/unladen		%	3/10
5.5	Service brake type			Electromagnetic
Electric-engine				
6.1	Drive motor rating S2 60 min		kW	0.65
6.2	Lift motor rating at S3 15%		kW	2.2
6.3	The maximum allowed size battery		mm	325x180x230
6.4	Battery voltage/nominal capacity K20		V/ Ah	2x12/85
6.5	Battery weight		kg	2x30
Addition data				
7.1	Type of drive unit			DC
7.2	Steering type			Mechanical
7.3	Sound pressure level at the driver's ear			69

1.The parameters in the table are of the standard model. For more information, please contact us.
2.The parameters are subject to change without notice.



RATED CAPACITIES GRAPH



Mast Option

mast types	Lift	h3+h13(mm)	Lowered mast height h1(mm)	Free lift h2 (mm)	Extended mast height h4(mm)
Duplex ZT		2515	1776	—	2991
		2715	1876	—	3191
		3015	2026	—	3491
		3315	2176	—	3791

Option

Options	ES10-10ESJ (Big Control Lever)
Fork width/length	<ul style="list-style-type: none"> ●1150x560 ○1150x685 ○1150x600
Battery	<ul style="list-style-type: none"> ●85AH ○100AH
Battery indicator with hour meter	<ul style="list-style-type: none"> ●
Driving wheel	<ul style="list-style-type: none"> ●PU wheel without pattern ○PU wheel with pattern
Buzzer	<ul style="list-style-type: none"> ●
Mast options	<ul style="list-style-type: none"> ●2515 ●2715 ●3015 ●3315
Mast screen	<ul style="list-style-type: none"> ●PMMA
Explosion-proof valves	<ul style="list-style-type: none"> ○
Height limitation	<ul style="list-style-type: none"> ○

●standard ○option